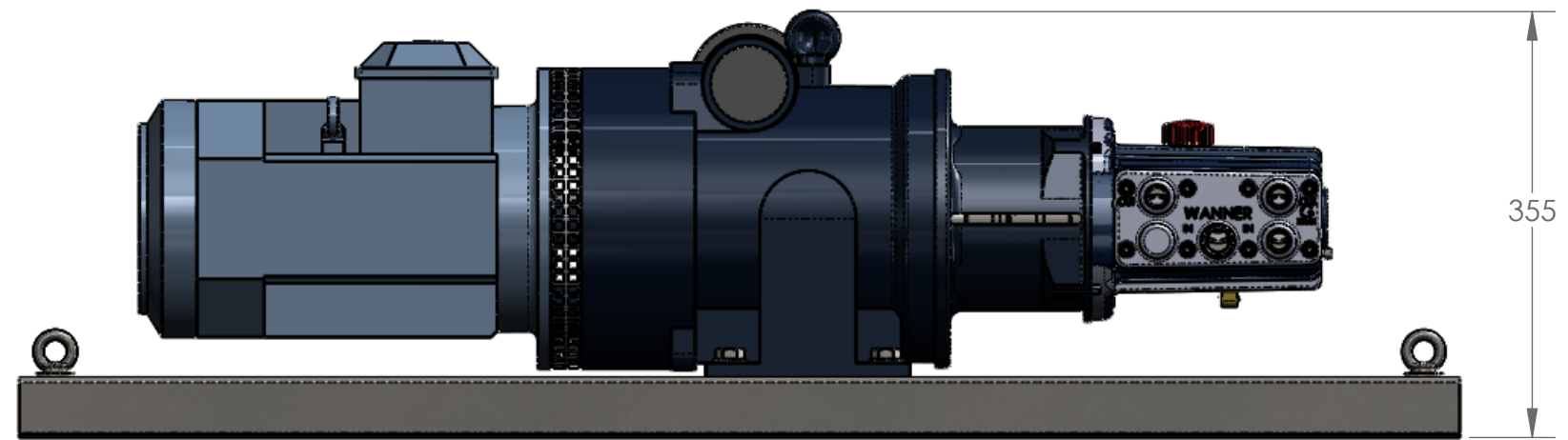
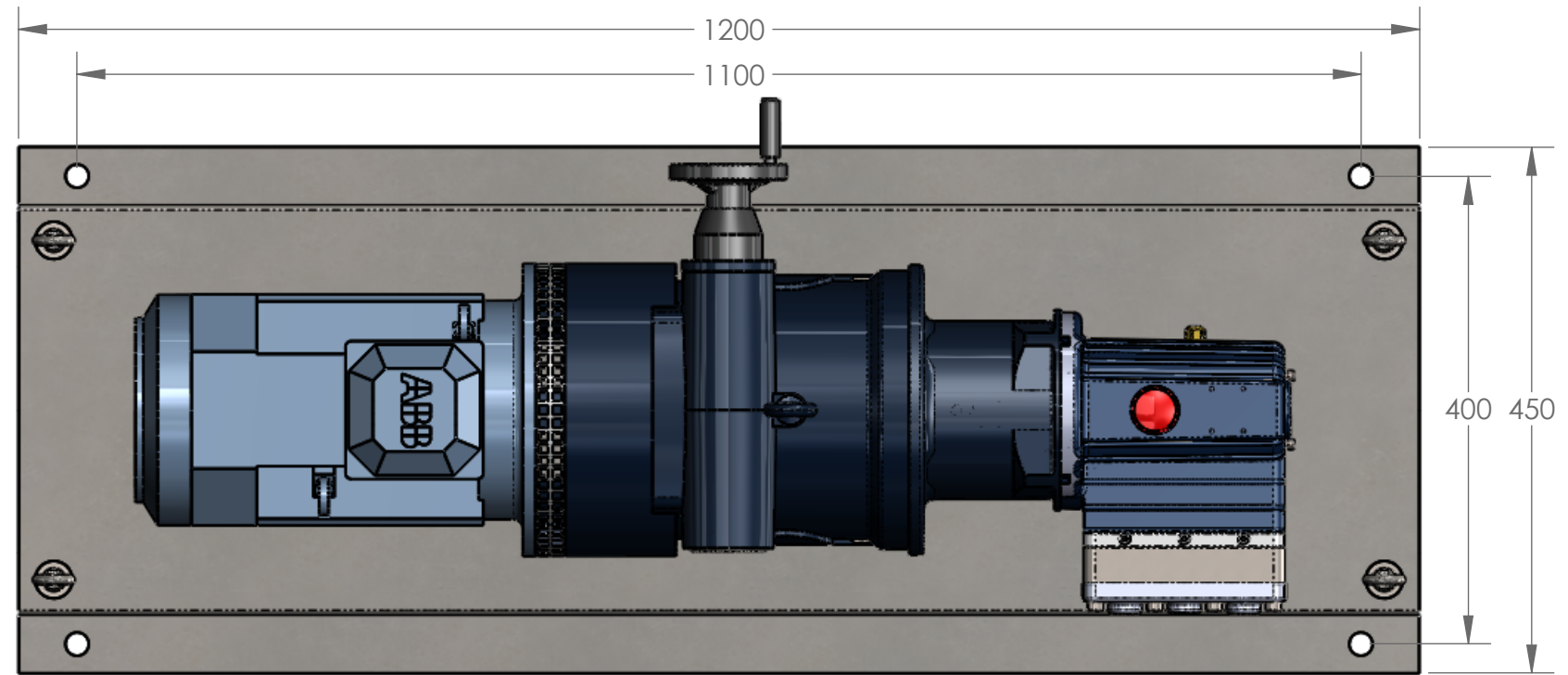


G03-M2H



Unit Weight = 117 Kg