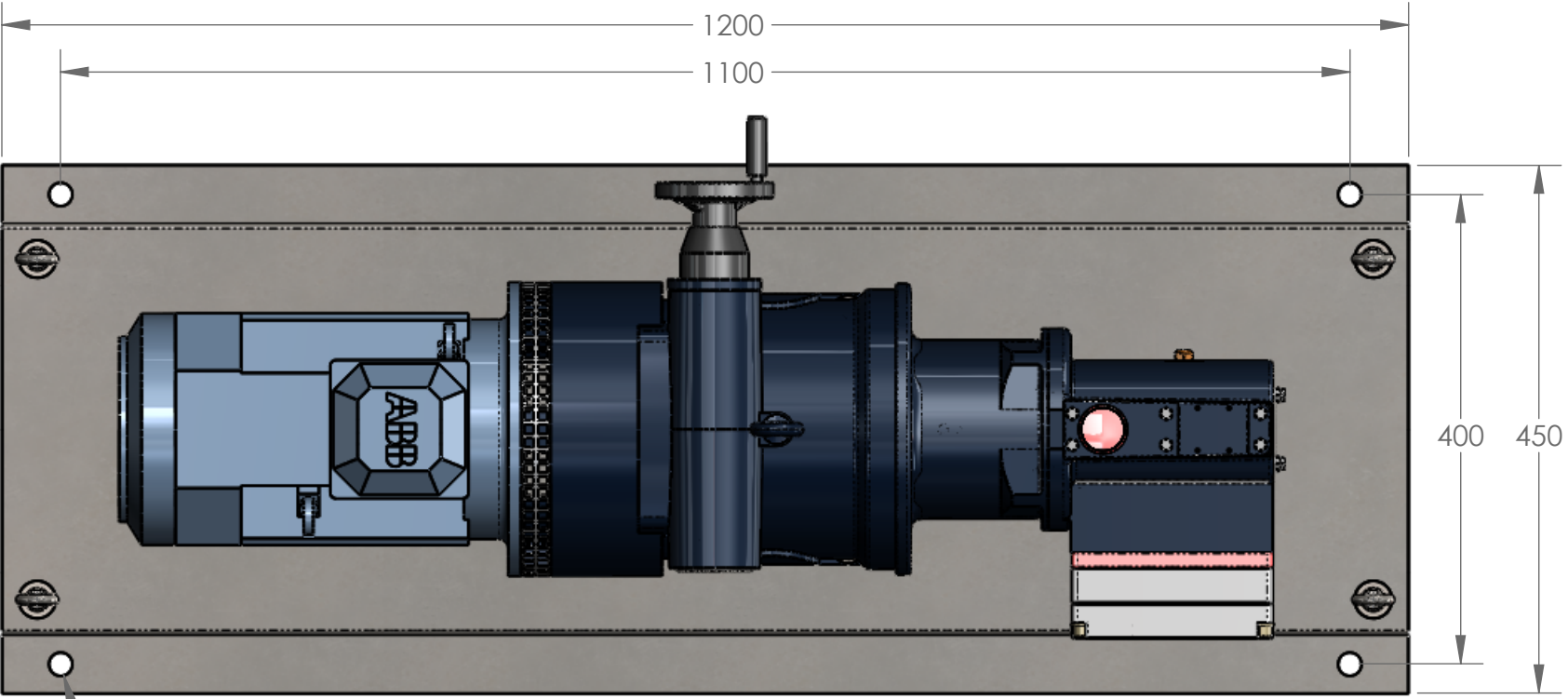
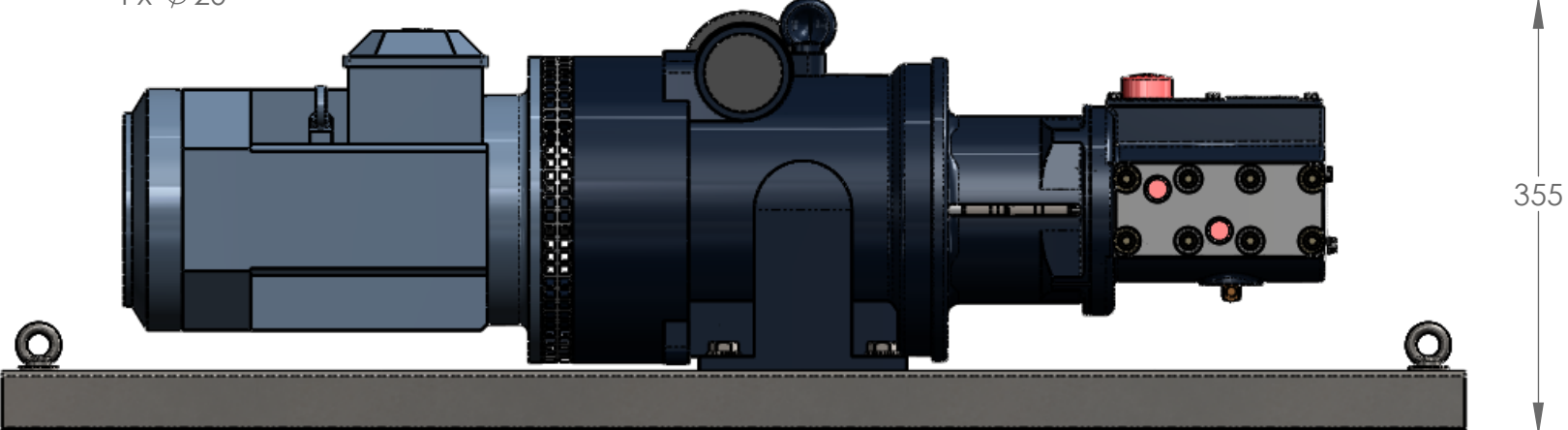


G04-M2M



4 x $\phi 20$



Unit Weight = 123 Kg