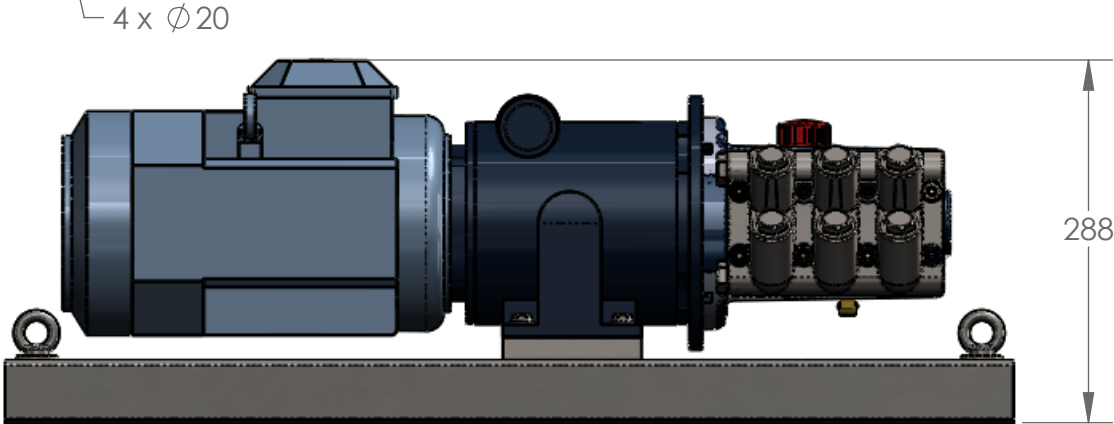
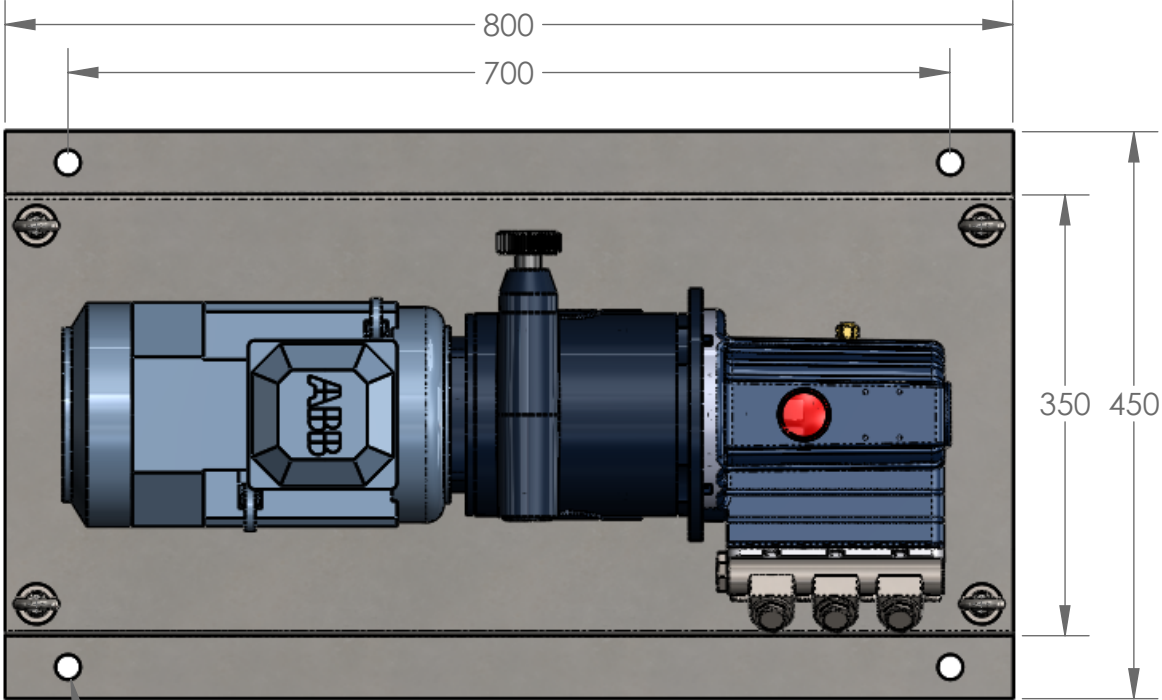


G13-M2M



Unit Weight = 60 Kg