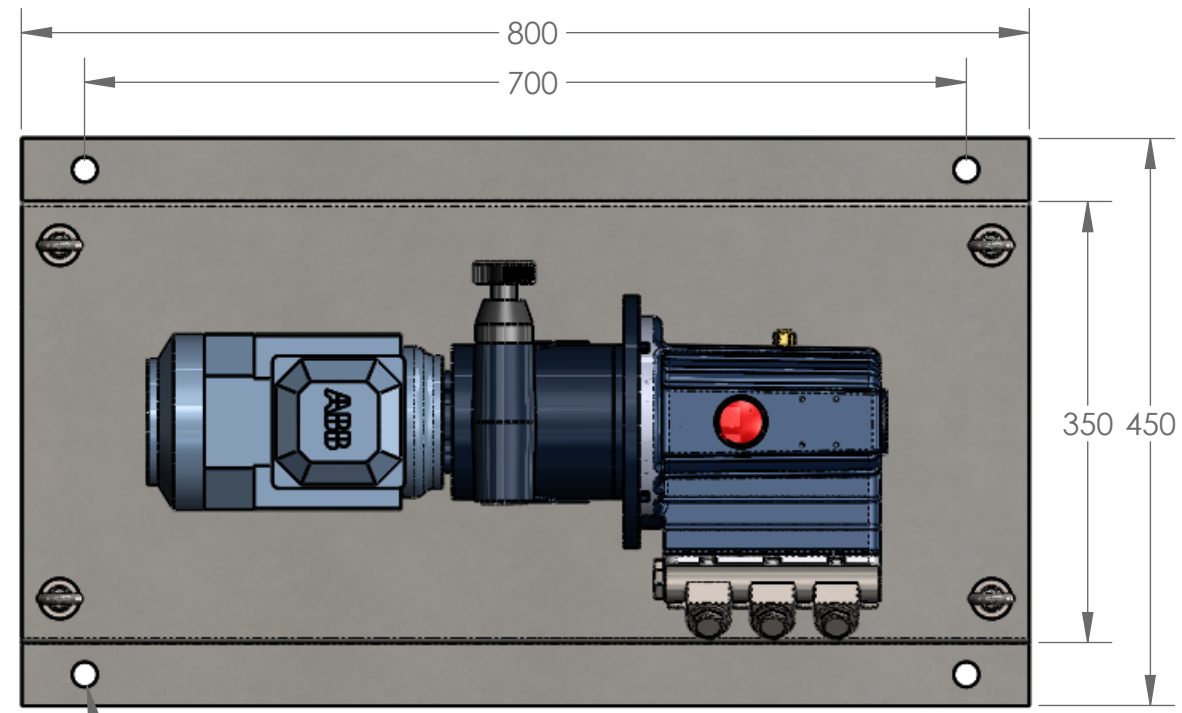
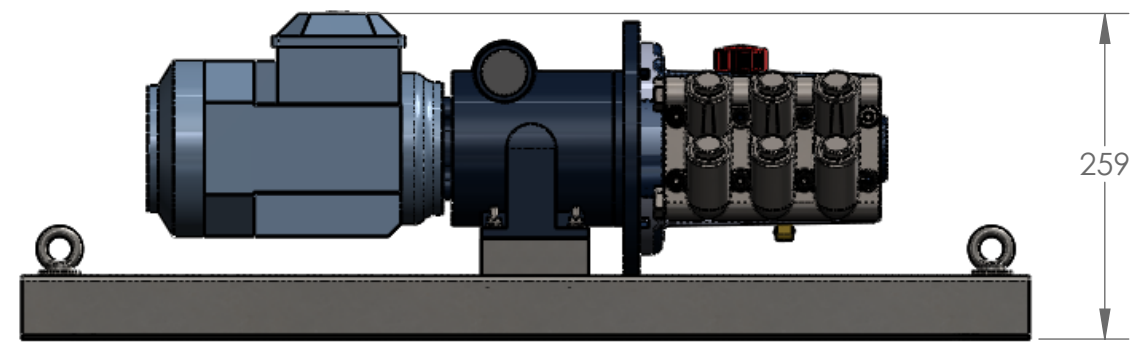


G13-M4L



4 x  $\phi 20$



Unit Weight = 45 Kg