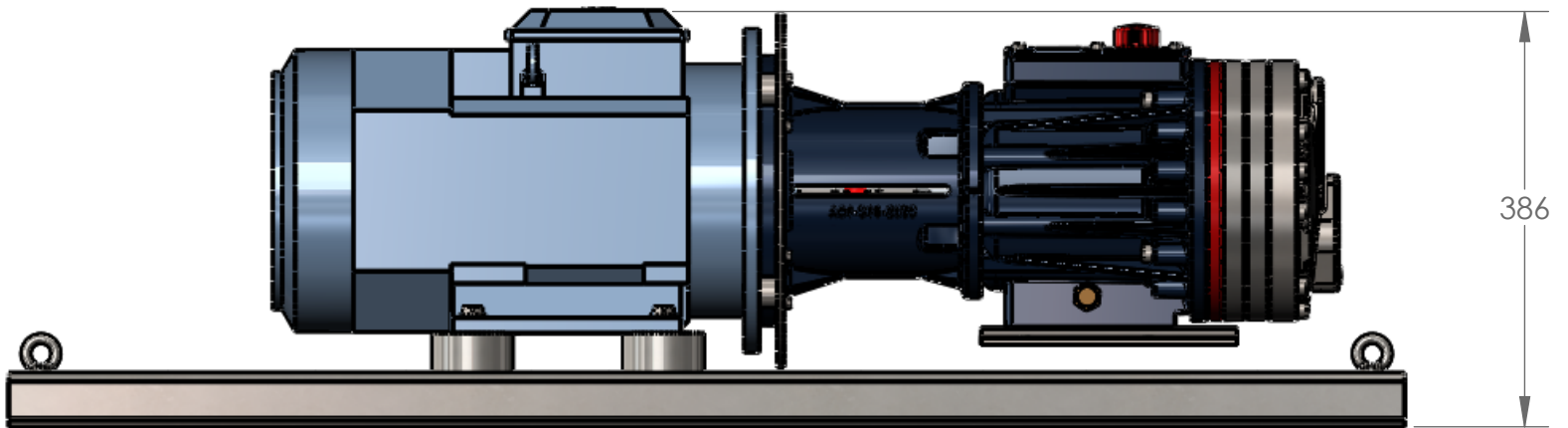


4 x $\varnothing 20$



G25 - IEC 132 - MA

193 Kg