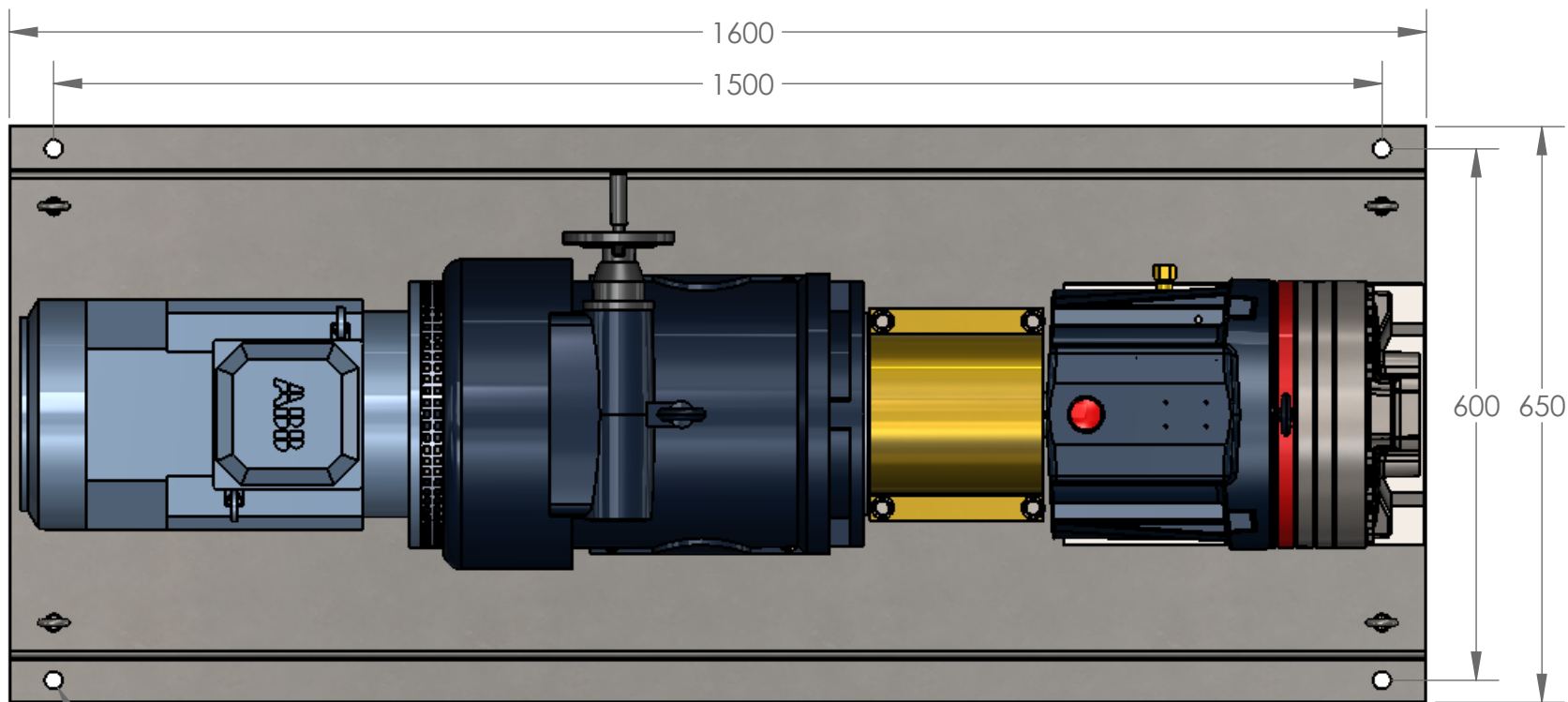
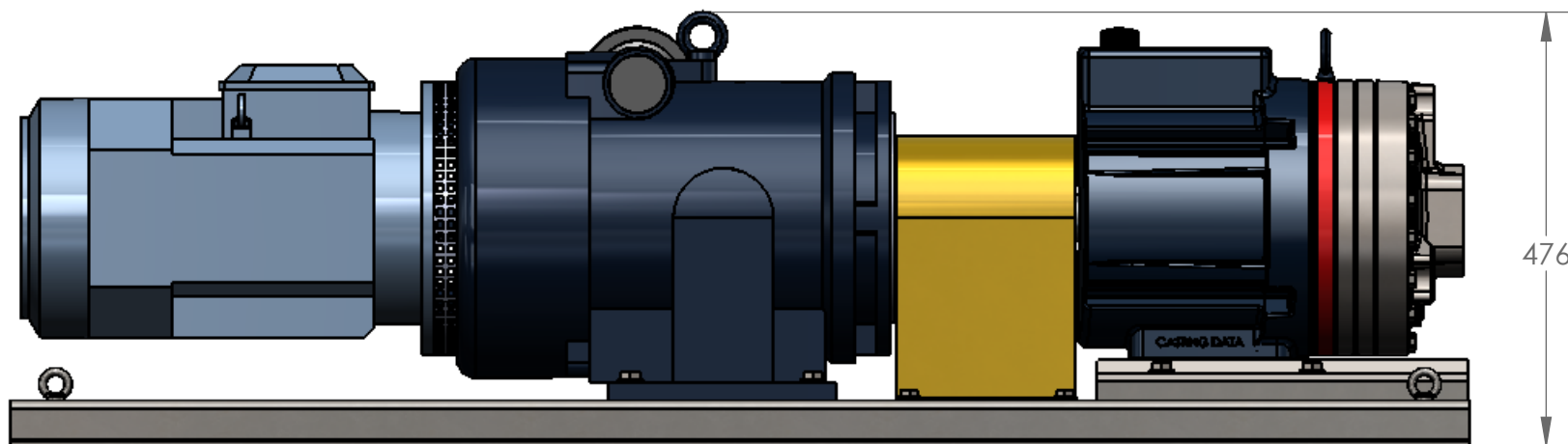


G35-M4L



4 x Ø20



Unit Weight Approx. 358 Kg