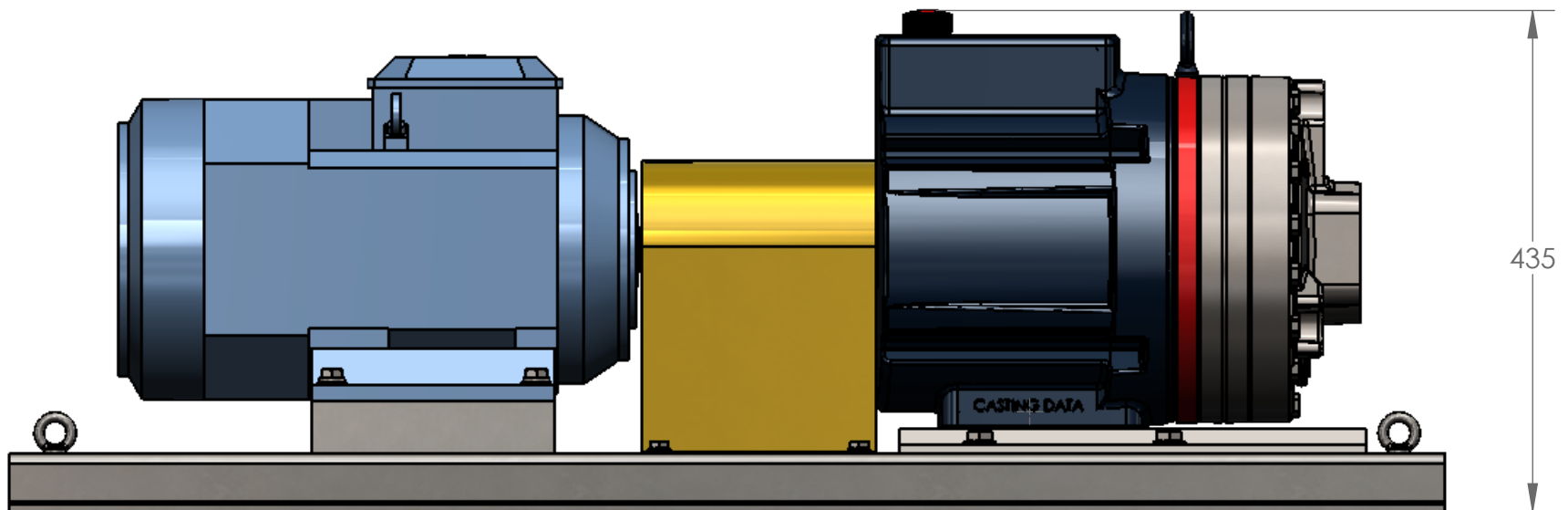


4 x $\phi 20$



Unit Weight Approx - 261 Kg