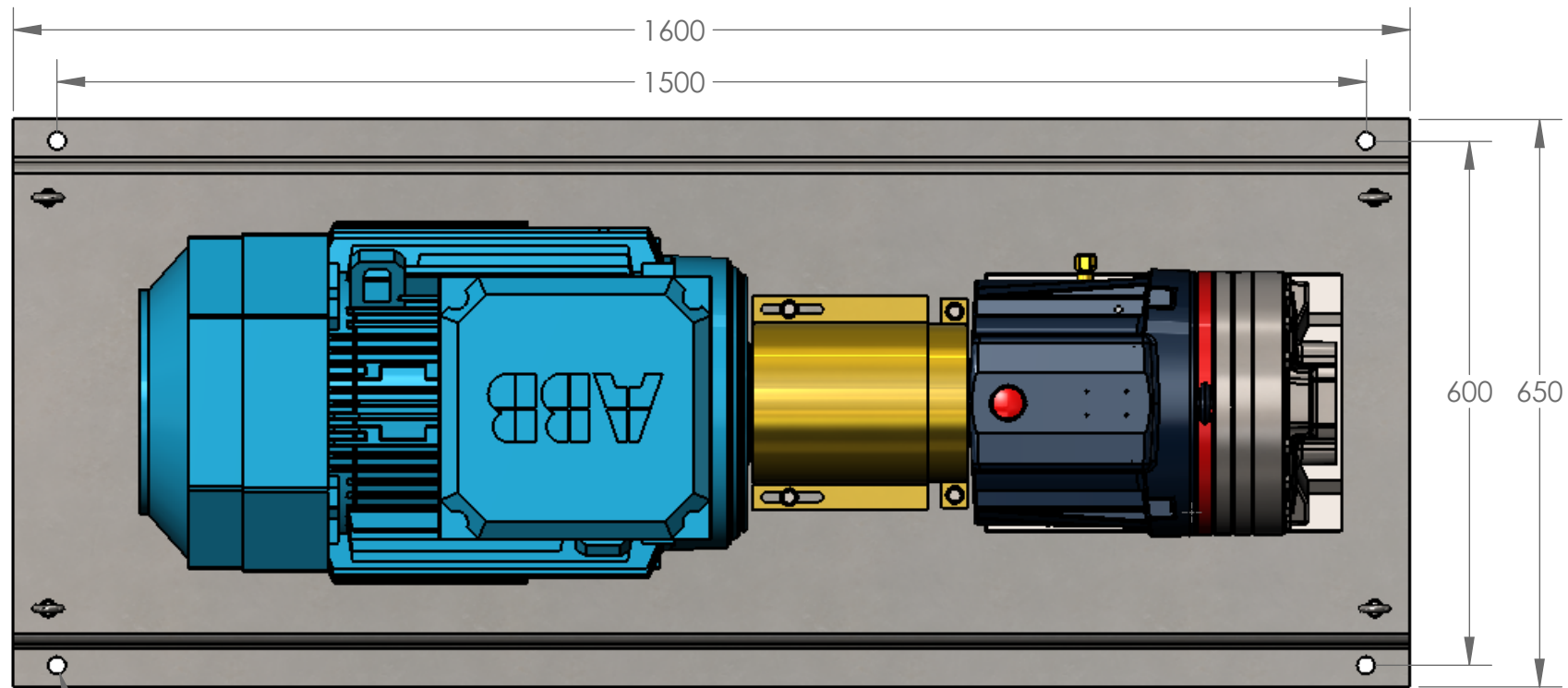
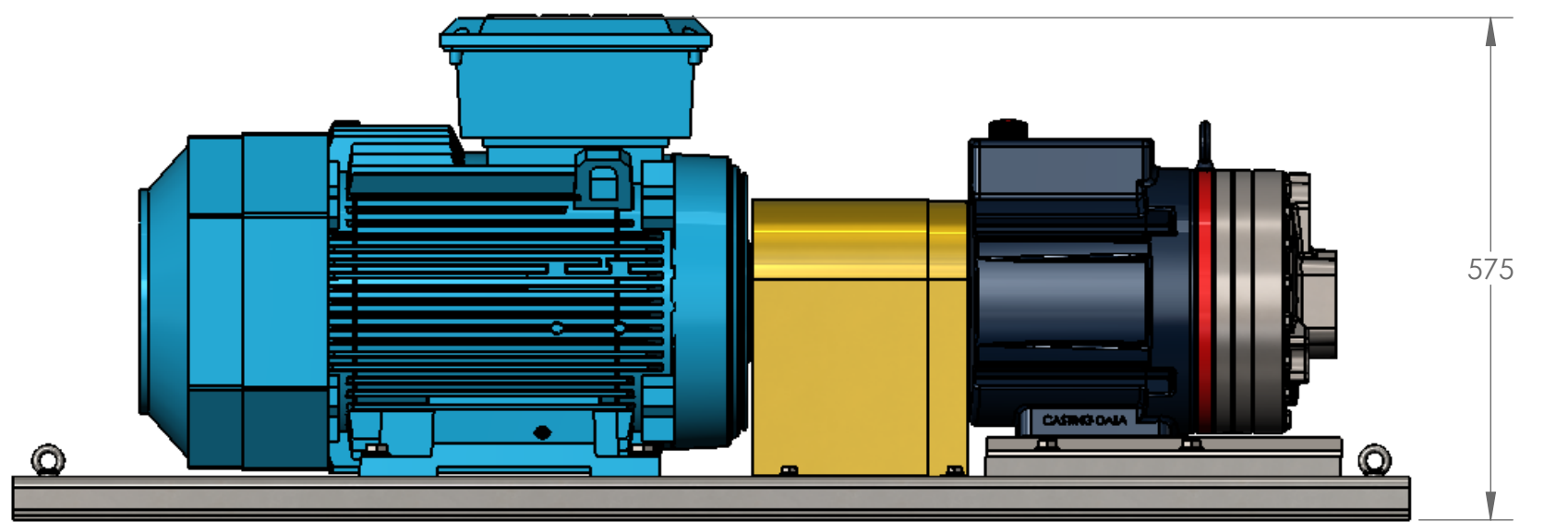


G35 - IEC 200



4 x Ø20



Unit Weight Approx - 488 Kg