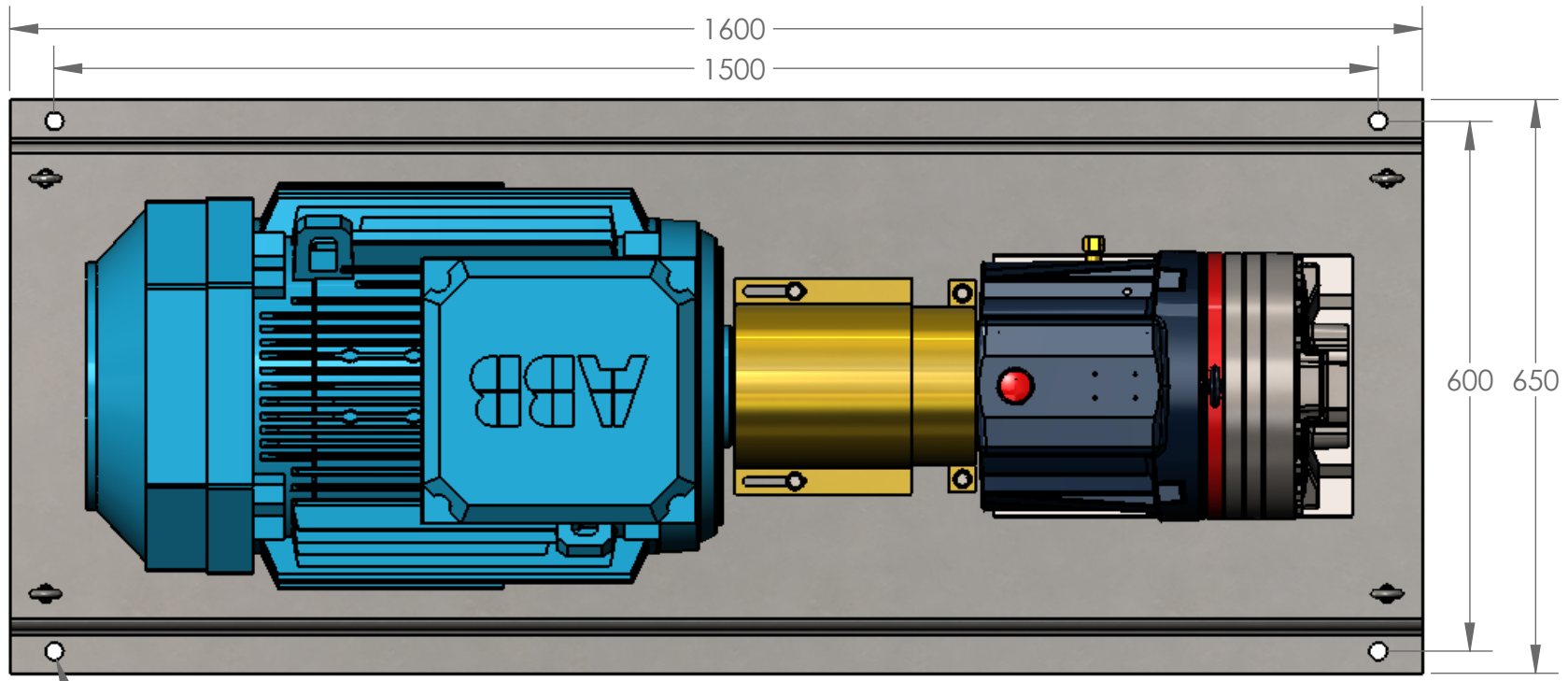
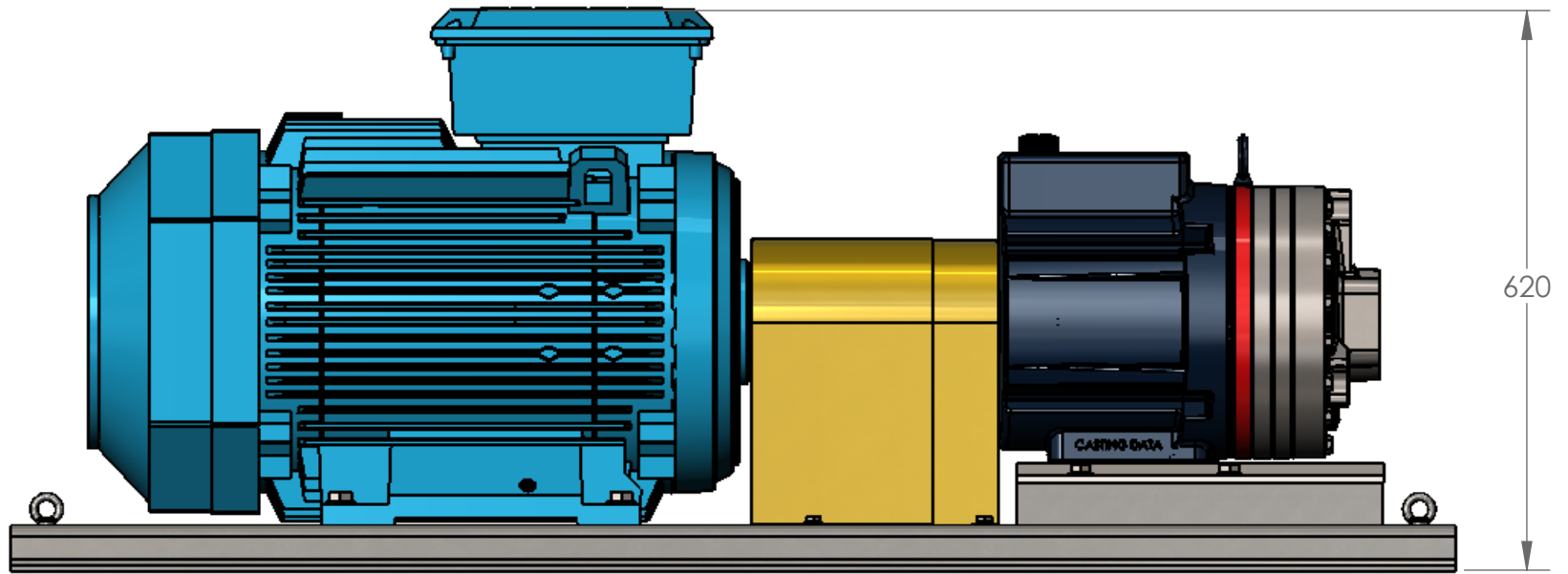


G35 - IEC 225



4 x  $\varnothing 20$



Unit Weight Approx - 546 Kg