

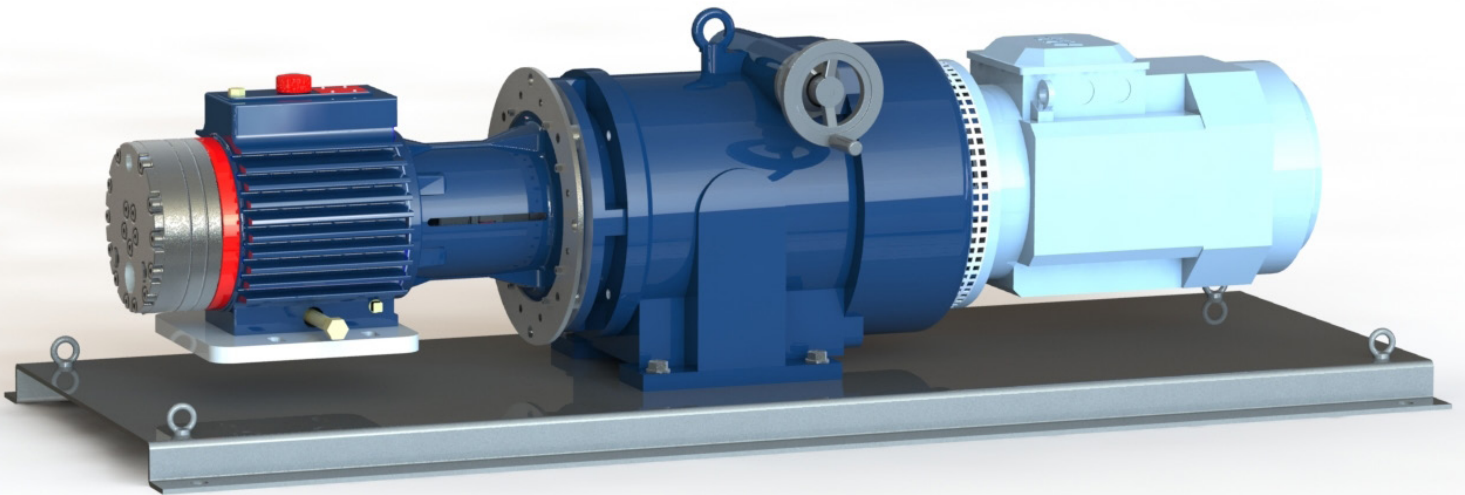
G15 Series Dosing Range

Maximum Flow Rate: up to 1200 l/hr (317 gph)
Maximum Pressure: up to 150 bar (2175 psi) for Metallic Pump Heads

API 674



WANNER
Hydra-Cell[®]
Seal-less Pump Technology



G15-M4M with Stainless Steel pump head

Meeting & Exceeding API 675 Performance Standards

- Steady State Accuracy: $\pm 1\%$
- Linearity: $\pm 3\%$ (over a 10 to 1 turn-down as per API 675)
- Repeatability: $\pm 3\%$
- Infinite turn-down achievable

G15 Series **Dosing Range Performance**

Capacities

Flow

Model	Max. Pump Input rpm	Min. Flow		Max. Flow	
		gph	l/hr	gph	l/hr
@ 120 bar (1740 psi)					
G15-M4M	600	26	100	317	1200
@ 150 bar (2175 psi)					
G15-M4H	500	26	100	262	994

Pressure

Maximum Inlet Pressure

Up to 34 bar (500 psi) for all models

Maximum Discharge Pressure

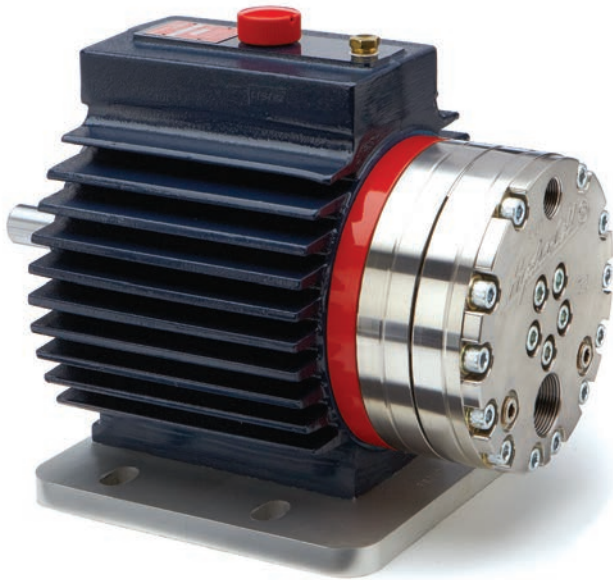
Metallic Pump Heads:

G15-M4M up to 120 bar (1740 psi)

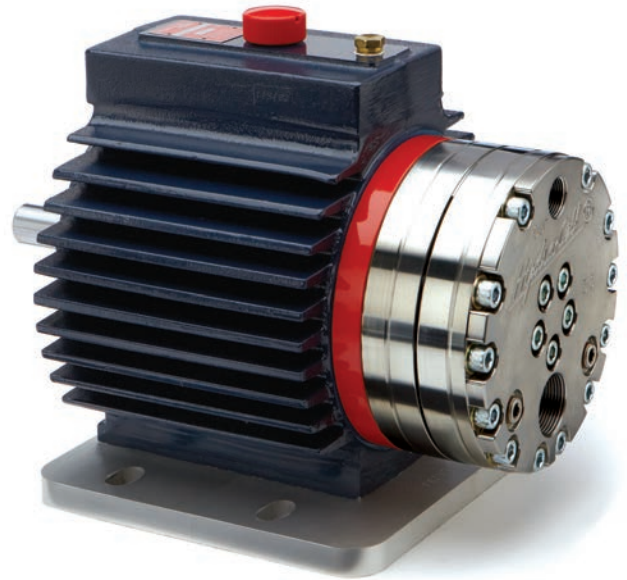
G15-M4H up to 150 bar (2175 psi)

Performance and specification ratings apply to G15 configurations unless specifically noted otherwise.

Pump Head Examples



G15 with Stainless Steel pump head



G15 with Duplex Alloy 2205 pump head

G15 Series Dosing Range Specifications

Flow Capacities @ 120 bar (1740 psi)

Model	Max. Pump Input		Min. Flow		Max. Flow	
	rpm		gph	l/hr	gph	l/hr
G15-M4M	600		26	100	317	1200

Flow Capacities @ 150 bar (2175 psi)

Model	Max. Pump Input		Min. Flow		Max. Flow	
	rpm		gph	l/hr	gph	l/hr
G15-M4H	500		26	100	262	1000

Maximum Discharge Pressure

Metallic Heads	G15-M4M: 120 bar (1740 psi)
	G15-M4H: 150 bar (2175 psi)

Maximum Inlet Pressure

Up to 34 bar (500 psi) for all models

Maximum Operating Temperature

Metallic Heads 121 °C (250 °F) - Consult factory for correct component selection for temperatures from 71 °C (160 °F) to 121 °C (250 °F).

Maximum Solids Size

500 microns
1-1/4 inch BSPT
1-1/4 inch NPT

Discharge Port

Shaft Diameter (for motor input)

G15:	28.6 mm (1-1/8 inch)
G15-M4M:	Requires 7.5kW, IEC 132, 4-Pole, B5 Motor
G15-M4H:	Requires 7.5kW, IEC 132, 4-Pole, B5 Motor

Shaft Rotation

Reverse (bi-directional)

Bearings

Tapered roller bearings

Oil Capacity

G15 Pump Only: 2.1 litres (2.2 US quarts)

Traction Fluid Capacity

G15-M4M Gearbox Only: 3.2 litres (3.4 US quarts)

G15-M4H Gearbox Only: 3.2 litres (3.4 US quarts)

Weight

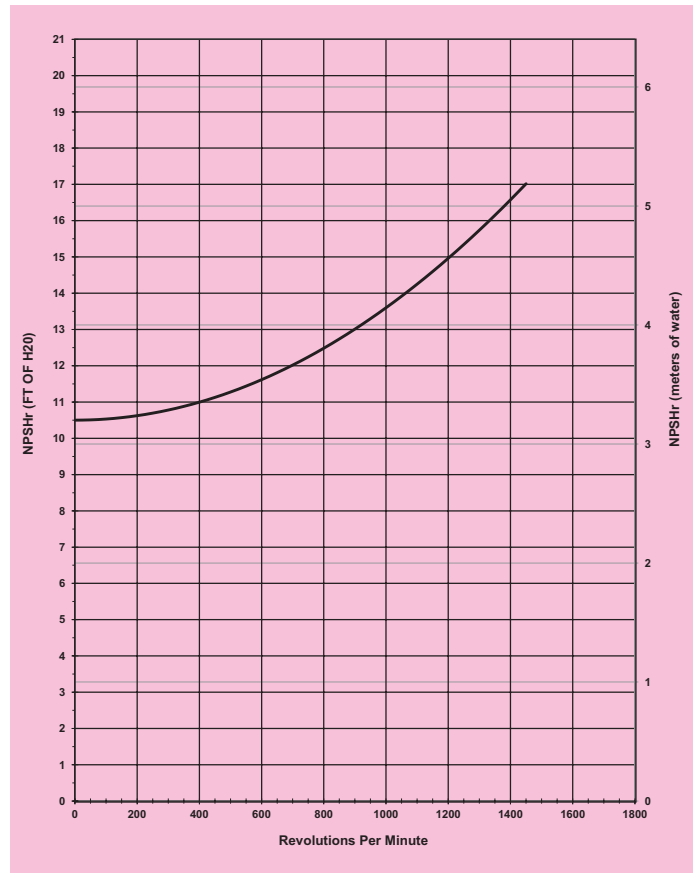
Metallic Heads

G15 Pump: 66 kg

G15-M4M Assembly: approx. 316 kg

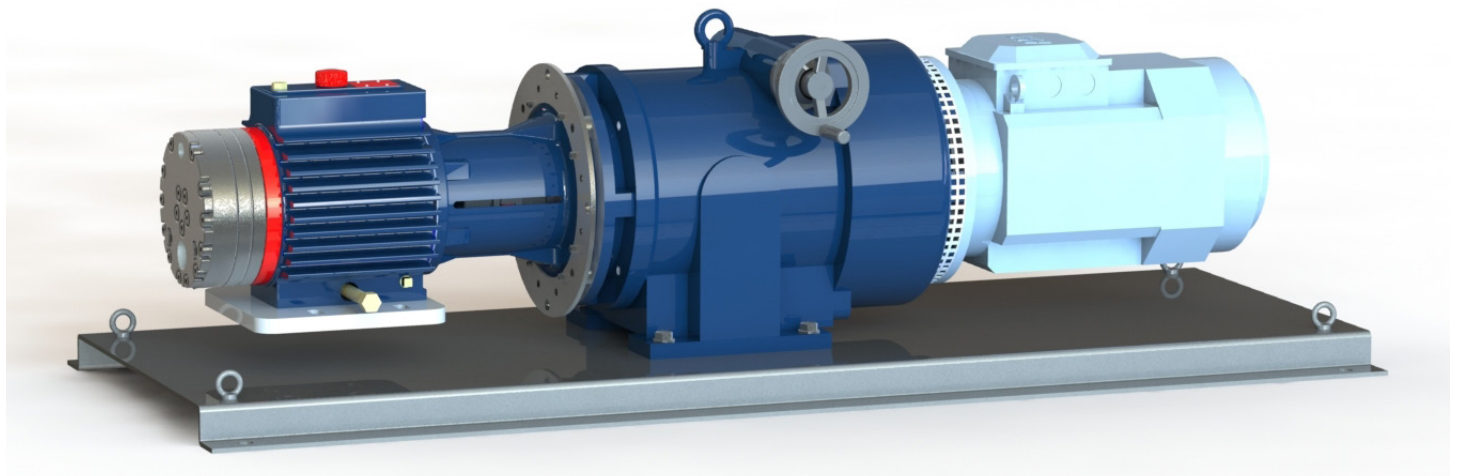
G15-M4H Assembly: approx. 316 kg

Net Positive Suction Head (NPSHr)



Suction Lift:

Each Hydra-Cell pump has different lift capability depending on model size, cam angle, speed, and fluid characteristics. To ensure that your specific lift characteristics are met, refer to the inlet calculations regarding friction, and acceleration head losses in your Hydra-Cell Installation & Service Manual. Compare those calculations to the NPSHr curves above.

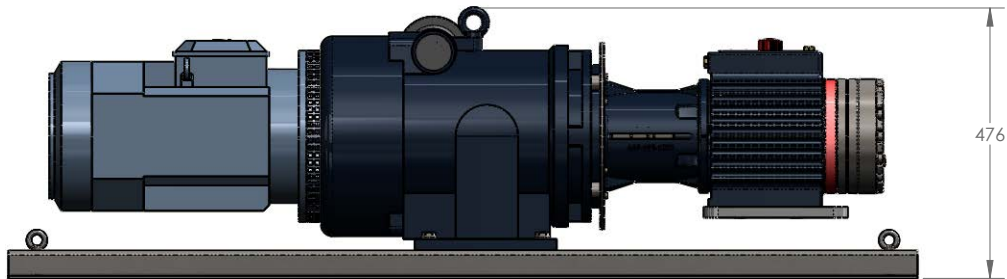
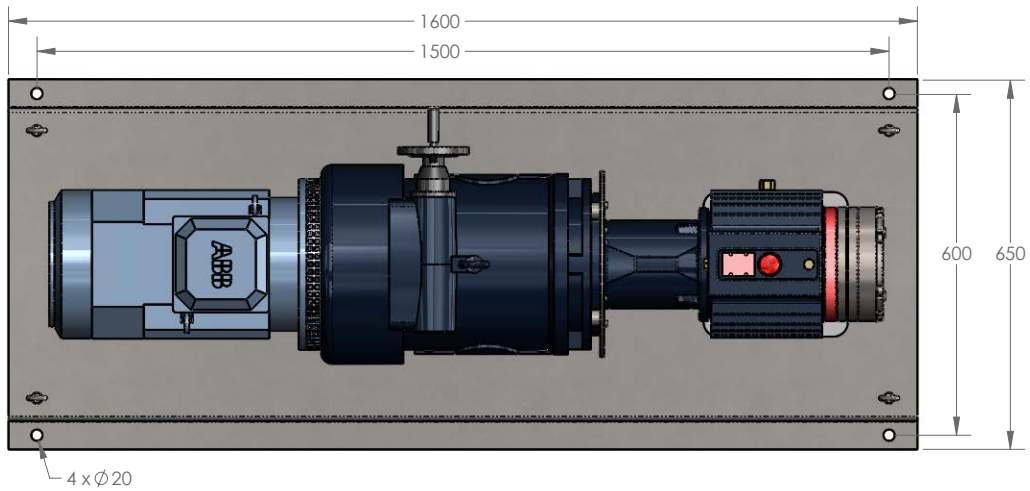


G15-M4M with Stainless Steel pump head and BSPT ports

G15 Series **Dosing Range General Assemblies**

Model G15-M4M

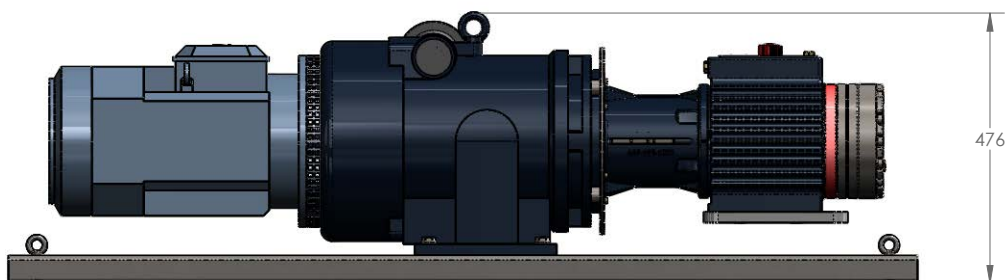
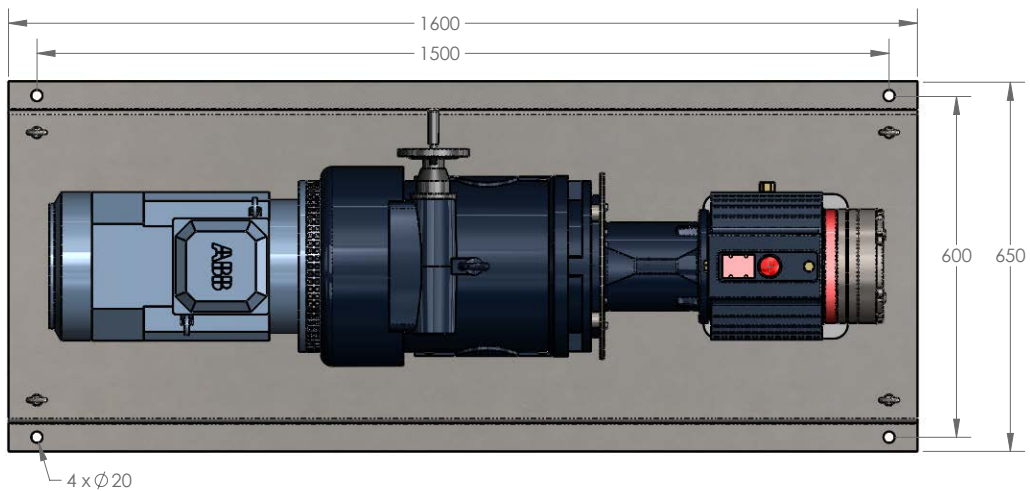
Dosing range 100 - 1200 l/hr (26 - 317 gph) @ 120 bar (1740 psi) max.



Unit Weight = 316 Kg

Model G15-M4H

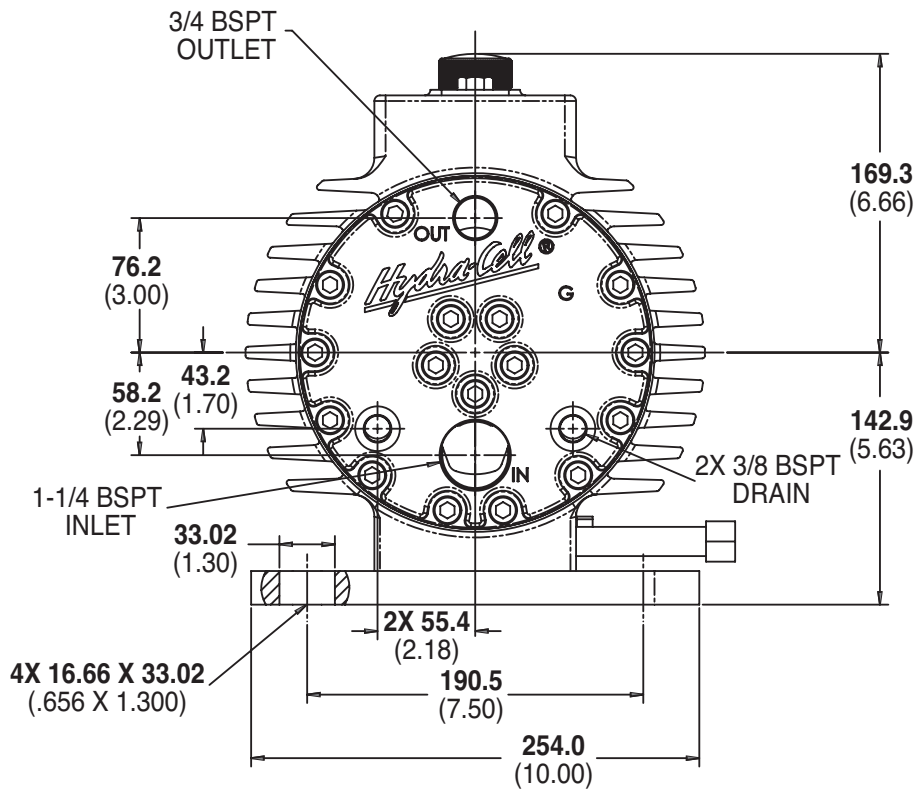
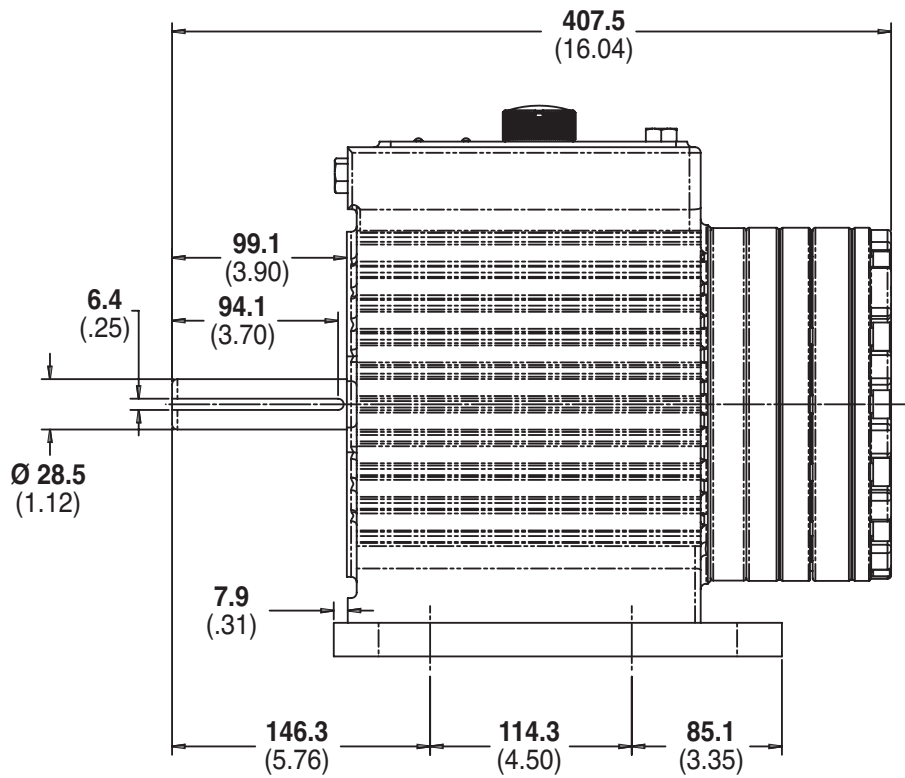
Dosing range 100 - 994 l/hr (26 - 262 gph) @ 150 bar (2175 psi) max.



Unit Weight = 316 Kg

G15 Series Representative Drawings

G15 Models with Metallic Pump Head mm (Inches)



Note: Dimensions are for reference only. Contact Wanner International for certified drawings.

G15 Series Dosing Range How to Order

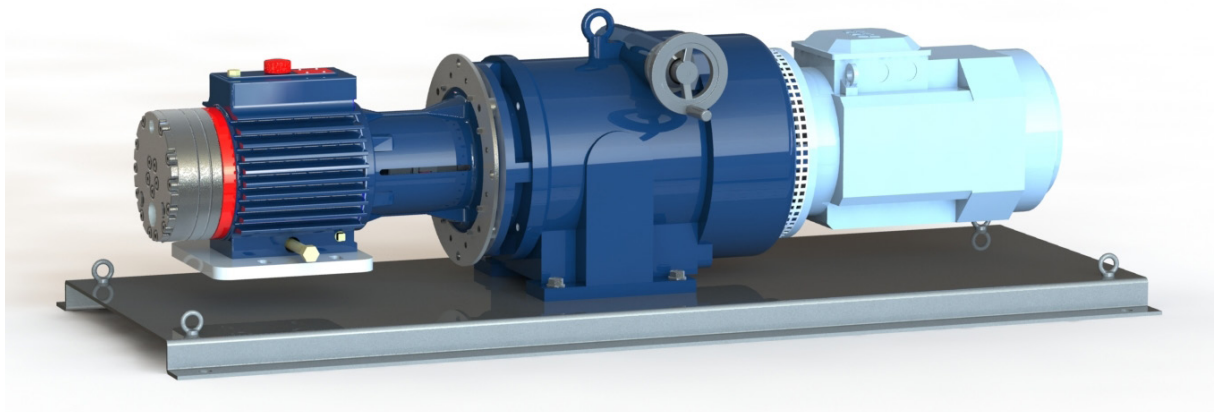
Ordering Information

1	2	3	4	5	6	7	8	9	10	11	12	13	14	15
G	1	5	X	K								M	4	

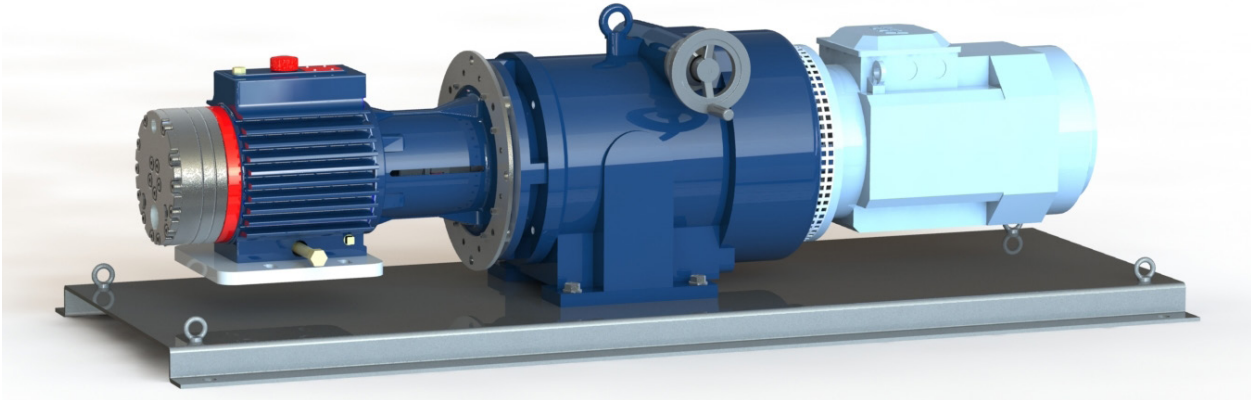
A complete G15 Series Dosing Range Model Number contains 15 digits including 8 customer-specified design and materials options, for example, G15XKBTHFECGM4M.

Digit	Order Code	Description
1-3	G15	Pump Configuration Horizontal shaft-driven (BSPT Ports)
4	X	Hydraulic End Cam Max 1200 l/hr (317 gph) @ 1450 rpm
5	K	Pump Head Version Advanced Diaphragm Position Control (ADPC) BSPT Ports
	-	ATEX 2014/34/EU Certified, Category 2, Zone 1, Hazardous Liquids <i>Note: Includes Certificate, Oil Level Monitor or Sight Glass, Earth Stud & Secondary ATEX Label.</i>
6	B	Pump Head Material Brass
	G	Duplex Alloy 2205 Stainless Steel
	S	316L Stainless Steel
	T	Hastelloy C
7	A	Diaphragm & O-ring Material Aflas diaphragm / PTFE o-ring
	G	FKM
	T	Buna-N
8	D	Valve Seat Material Tungsten Carbide
	H	17-4 Stainless Steel
	N	Nitronic 50
	T	Hastelloy C
9	D	Valve Material Tungsten Carbide
	F	17-4 Stainless Steel
	N	Nitronic 50
	T	Hastelloy C

Digit	Order Code	Description
10	E	Valve Springs Elgiloy
	H	17-7 Stainless Steel (high-viscosity only - requires 3.5 bar suction pressure)
	T	Hastelloy C
11	C	Valve Spring Retainers Celcon
	H	17-7 Stainless Steel
	M	PVDF
	P	Polypropylene
	T	Hastelloy C
	Y	Nylon (Zytel)
12	A	Hydra-Oil 10W30 standard-duty oil
	B	40-wt for continuous-duty (use with 316L SST pump head - standard)
	E	Food-contact oil
	G	5W30 cold-temp severe-duty synthetic oil
	H	15W50 high-temp severe-duty synthetic oil
13 - 15	M4M	Dosing Range 100 - 1200 l/hr (26 - 317 gph) @ 600 rpm max. Requires a 7.5kW, IEC 132, 4-Pole, B5 Motor (not included, but available on request)
	M4H	100 - 994 l/hr (26 - 262 gph) @ 500 rpm max. Requires a 7.5kW, IEC 132, 4-Pole, B5 Motor (not included, but available on request)



G15 Series Dosing Range



WANNER

Hydra-Cell®
Partners in over 70 Countries

Standards Compliance



- API 675 performance testing, both witnessed and non-witnessed available. (Consult your local Wanner office for further details.)

 **Wanner International Ltd.**

**WANNER INTERNATIONAL
UNITED KINGDOM**

8 & 9 Fleet Business Park
Sandy Lane • Church Crookham
Hampshire UK GU52 8BF
t +44(0) 252 816847
e: sales@wannerint.com

 **Wanner Engineering, Inc.**

**WANNER ENGINEERING
WORLD HEADQUARTERS &
MANUFACTURING**

Minneapolis USA
t+1 612-332-5681
e: sales@wannereng.com

**REGIONAL OFFICE
Texas USA**

t+1 940-322-7111
e: sales@wannereng.com

LATIN AMERICAN OFFICE

São Paulo, Brazil
t +55 (11) 99582-1969
e: sales@wannereng.com

 **Wanner Pumps Ltd.**

**WANNER PUMPS
Kowloon HONG KONG**

t +852 3428 6634
e: sales@wannerpumps.com

Shanghai CHINA

t +86-21-6876 3700
e: sales@wannerpumps.com