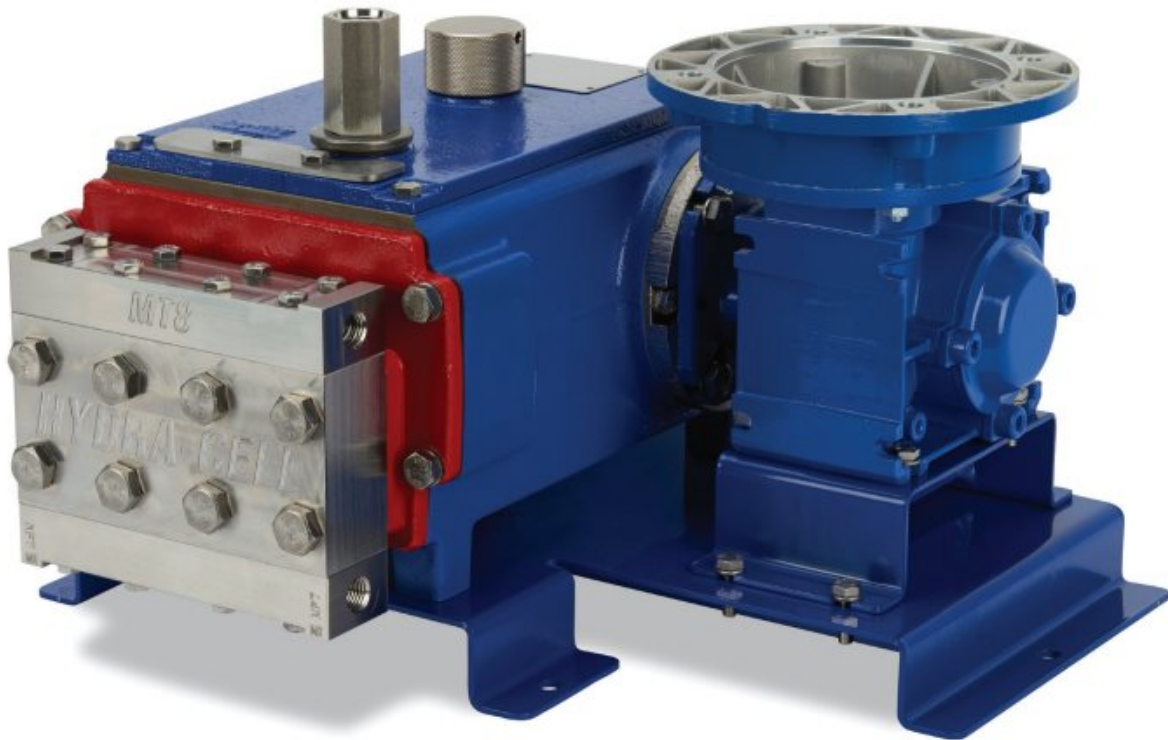


MT8 Pump

API 675



Maximum Flow Rate: 30.28 L/hr (8.00 gph)
Minimum Flow Rate: 0.227 L/hr (0.06 gph)
Maximum Pressure: 241 bar (3500 psi) for Metallic Pump Heads
24 bar (350 psi) for Non-metallic Pump Heads



MT8 with Stainless Steel pump head

Hydra-Cell Metering Solutions pumps exceed API 675 performance standards for Steady-State Accuracy ($\pm 1\%$), Linearity ($\pm 3\%$), and Repeatability ($\pm 3\%$).

Triplex Metering Pump with Virtually Pulse-free Linear Flow

- Multiple-diaphragm design provides virtually pulse-free, linear flow without the need for expensive pulsation dampeners.
- Designed for low flow rates at high pressures.
- Can run dry indefinitely.
- Will operate without damage to the pump in the event of a blocked suction line.
- Handles a variety of processing fluids.
- Electronic flow control increases accuracy and reliability.
- The integral relief valve protects the pump from over pressurisation on the discharge side.
- Rugged construction with sealing oil cap.
- Smaller footprint saves valuable space.
- Duplexing option doubles capacity and equipment savings.
- One pump covers a wide range of flows and pressures - reducing inventory requirements with fast, simple field conversion.
- Hydraulically-actuated, balanced diaphragms provide superior performance across the entire pressure range.
- Seal-less design means no seals, cups, or packing to leak or replace.
- The replenishment valve system in every piston ensures optimum actuating oil on every stroke for continuous accuracy and protects the pump from damage in the event of a blocked suction line.

MT8 Pump

MT8 Materials and Configurations



MT8 with PVC pump head.



MT8 with PVDF pump head.



MT8 with manual variable speed gearbox.



MT8 with duplexing option.

Two MT8 pumps run at the same flow rate with only one gearbox and one motor. This “duplexing” option doubles capacity with a smaller footprint and lower investment cost than conventional metering pumps. Two different chemicals can be metered in a 1:1 ratio.

MT8 Pump

Performance Flow Capacities and Pressure Ratings

For Synchronous Speed, Self-cooled Motors
L/hr Maximum Flow at Designated Pressure

All Pumps (L/hr)				Pump RPM	Gear Ratio	Motor RPM
34 bar	103 bar	172 bar	241 bar			
1.49	1.36	1.23	1.08	15	100:1	1500
1.85	1.68	1.52	1.35	18.75	80:1	
2.45	2.22	2.01	1.79	25	60:1	
3.03	2.75	2.51	2.26	30	50:1	
3.72	3.44	3.11	2.81	37.5	40:1	
5.03	4.54	4.13	3.72	50	30:1	
7.30	6.65	6.08	5.46	75	20:1	
14.71	13.44	12.13	10.83	150	10:1	
19.44	17.55	15.99	14.10	200	7.5:1	
29.16	26.33	23.12	20.63	300	5:1	

Required Motor kW

0.37

Notes:

- The motor kW are based on ambient temperature conditions up to 25°C. For ambient temperatures above 25°C, Force-cooled Motors may be required. Please contact Wanner International.
- Contact factory for performance specifications.
- Based on using IE2 motors.
- Maximum continuous motor speed is 1500 RPM at full pressure.
- For intermittent or reduced pressure duties, please contact Wanner International.
- Flow rates above 30.28 L/hr are not guaranteed to meet API 675 Performance Standards. To reach a flow rate of 30.28 L/hr with a 5:1 gear box and 1500 RPM motor, the VFD will need to be programmed for operation above 50 Hz.

Manual Adjustment Controller

All Min/Max flow rates in litres/hour

34 bar		103 bar		172 bar		241 bar		Pump RPM	Gearbox Ratio	Model Number	Required Motor Size & Frame
Min	Max	Min	Max	Min	Max	Min	Max				
0.23	2.01	0.23	1.82	0.23	1.65	0.23	1.49	20	30:1	MEC1 - 63B14	0.18kW / IEC 63 / B14 / 4-Pole
	2.92		2.66		2.43		2.18	30	20:1		
	5.88		5.38		4.85		4.33	60	10:1		
	7.78		7.02		6.40		5.64	80	7.5:1		
	11.67		10.53		9.25		/	120	5:1	MEC3 - 71B14	
	/		/		/		8.25				
	30.32		30.32		/		/	472	*	MEC5 - 80B14*	
	/		/		30.32		30.32				

* For MT8 direct coupled to manual adjustment controller, without gearbox.

For 10:1 Turndown, Self-cooled Motors
L/hr Maximum Flow at Designated Pressure

All Pumps (L/hr)				Pump RPM	Gear Ratio	Motor RPM
34 bar	103 bar	172 bar	241 bar			
1.49	1.36	1.23	1.08	15	100:1	1500
1.85	1.68	1.52	1.35	18.75	80:1	
2.45	2.22	2.01	1.79	25	60:1	
3.03	2.75	2.51	2.26	30	50:1	
3.72	3.44	3.11	2.81	37.5	40:1	
5.03	4.54	4.13	3.72	50	30:1	
7.30	6.65	6.08	5.46	75	20:1	
14.71	13.44	12.13	10.83	150	10:1	
19.44	17.55	15.99	14.10	200	7.5:1	
29.16	26.33	23.12	20.63	300	5:1	

Required Motor kW

0.18

0.25

0.37

0.55

Please Note:

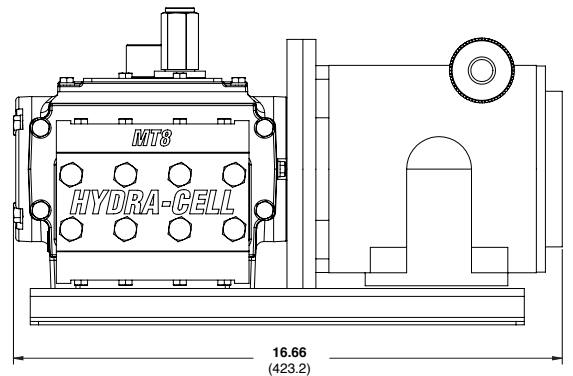
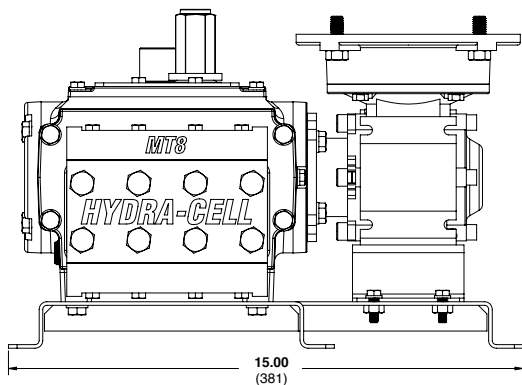
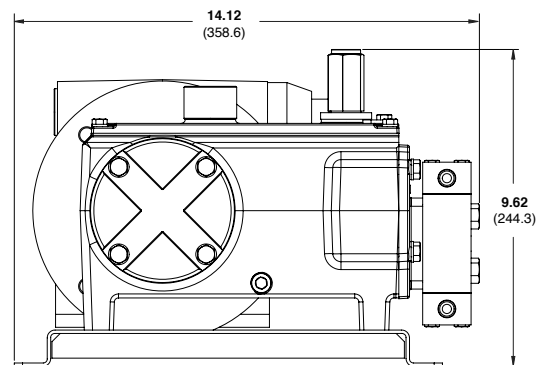
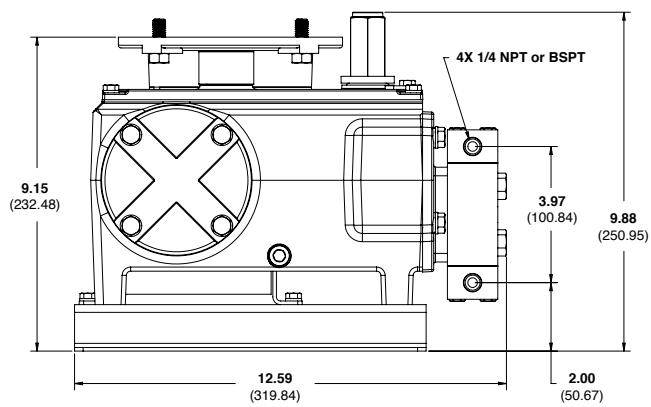
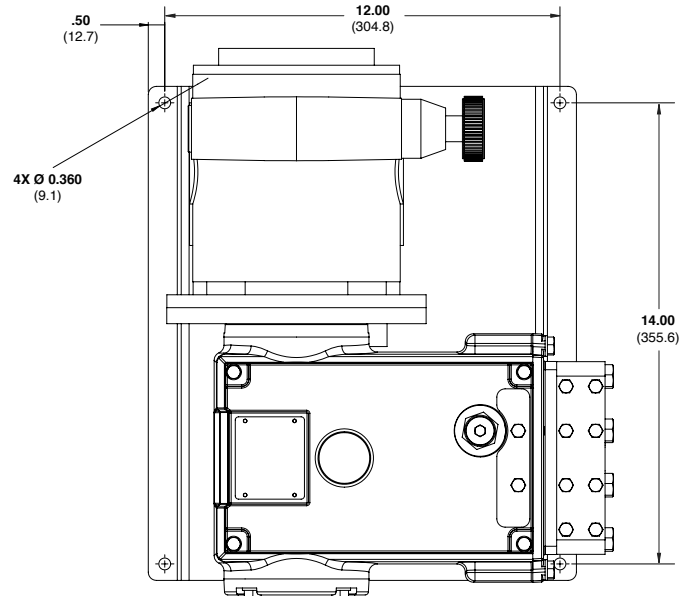
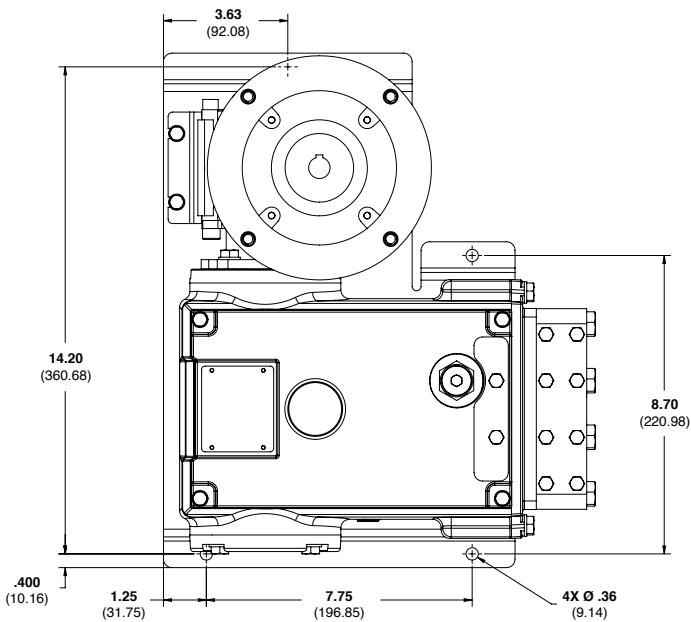
Systems vary. The MT8 pump must be calibrated once installed to ensure optimum performance. The API 675 Performance Standard is achievable for flow rates as low as 0.227 L/hr. Please contact the factory for assistance.

See Page 6 for Electronic Flow Rate Controller.

Representative Drawings Inches (mm)

Metallic Pump Heads

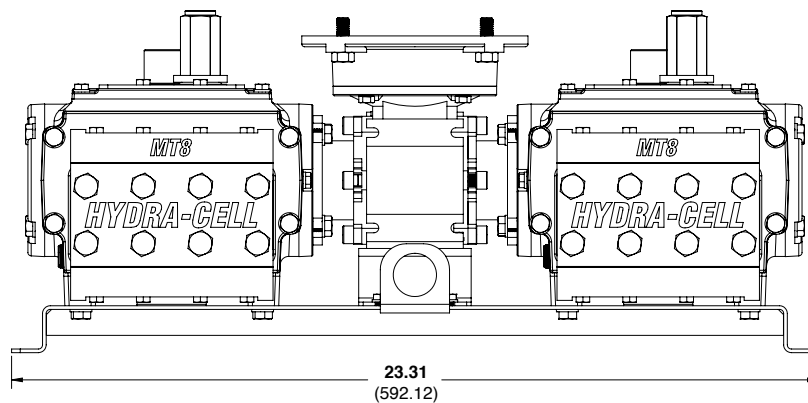
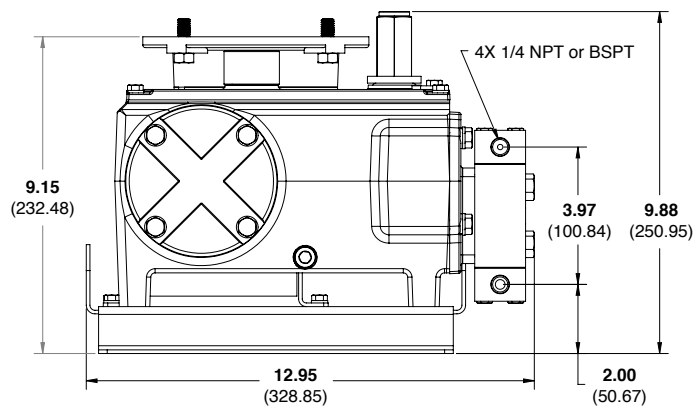
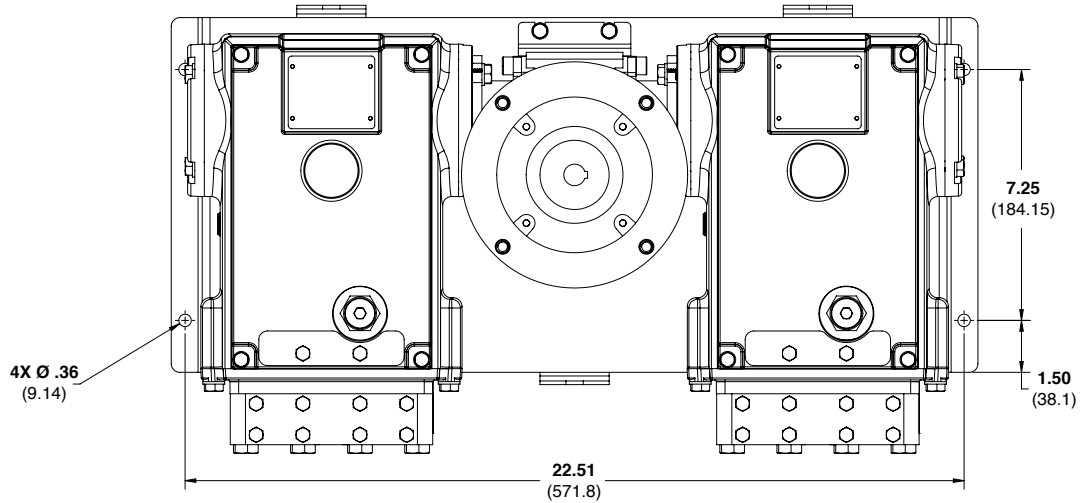
Metallic Heads with Manual Adjustment



Note: Dimensions are for reference only. Contact Wanner International for certified drawings.

Representative Drawings Inches (mm)

Metallic Heads with Duplexing Option



Note: Dimensions are for reference only. Contact factory for certified drawings.

How to Order

A complete pump order number contains 16 digits based on the specified pump materials listed below.

1 M	2 T	3	4	5	6	7	8 J	9 N	10	11	12	13	14	15	16
---------------	---------------	---	---	---	---	---	---------------	---------------	----	----	----	----	----	----	----

Pump Model Size (Digits 1-2)

MT Metering Triplex Pumps

Pump Capacity (Digits 3-4)

08 0.227 - 30.28 L/hr (0.06 - 8.00 gph)
8D MT8 Duplex 0.454 - 60.56 lph (0.12 - 16 gph)

Pump Version (Digit 5)

N NPT Ports
M BSPT Ports

Pump Head (Digits 6-7)

SN 316 SST
TN Hastelloy C
AN Alloy 20
VN PVC
MN PVDF

Diaphragm (Digit 8)

J PTFE (FDA-compliant wetted PTFE materials available on request - consult Wanner International)

Leak Detection Style (Digit 9)

N No leak detection

CV Ball/Seat (Digits 10-11)

SS 316 SST / 316 SST
TT Hastelloy C / Hastelloy C
AA Alloy 20 / Alloy 20

Oil (Digit 12)

B EPDM oil
G 5W30 (Synthetic oil)
K Food-contact oil

Motor Flange Size (Digit 13)

A NEMA 56C
B NEMA 143/145TC
C IEC 63 B5
D IEC 71 B5
E IEC 80 B5
H NEMA 56C (MA only)
L IEC 71 B14 (MA only)
M IEC 80 B14 (MA only)

Gearbox Ratio (Digits 14-15)

00	100:1
80	80:1
60	60:1
50	50:1
40	40:1
30	30:1
20	20:1
10	10:1
07	7.5:1
05	5:1
MA	Manual adjustment (specify H, L or M flange for this option)

Manual adjustment controller available for fixed-ratio gearboxes to be ordered as an accessory.

Baseplate (Digit 16)

C Carbon Steel (Epoxy painted)
S SST
M Carbon Steel (Epoxy painted) Manual adjustment
T SST Manual adjustment

Pump Data

Diaphragms per Liquid End	3
Flow Control	Electronic variable speed drive or manual adjustment
Maximum Discharge Pressure	
Metallic Heads:	241 bar (3500 psi)
Non-metallic Heads:	24 bar (350 psi)
Maximum Inlet Pressure	
Metallic Heads:	34 bar (500 psi)
Non-metallic Heads:	300 psi (21 bar)
Operating Temperatures (min./max.)	
Metallic Heads:	4.4 °C (40 °F) to 121 °C (250 °F)
Non-metallic Heads:	4.4 °C (40 °F) to 60 °C (140 °F)
<i>Consult factory for temperatures outside this range</i>	
Inlet Port	1/4 inch BSPT or NPT
Discharge Port	1/4 inch BSPT or NPT
Maximum Solids Size	200 microns
Suction Lift Capability	6.1 meters (20 feet)
Shaft Rotation	Bi-directional
Oil Capacity	1.7 litres (1.75 US quarts)
Weight (less motor)	
Metallic Heads:	45 kg (100 lbs.)
Non-metallic Heads:	34 kg (75 lbs.)

Accessories, Options & Services

Consult Wanner International for complete details about available accessories and options as well as special services.

- Duplexing Models
- Different Gearbox Ratios
- Actuating Oils
- Magnetic Drain Plug
- Motors (Standard/Hazardous-duty)
- Controllers
- Control Freak Touch-screen Metering Controller
- SmartDrive Motor-Controller
- Calibration Cylinders
- Back Pressure Valves
- Pressure Relief Valves
- Testing Services
- System Components, Priming Kits and Plugs
- Replacement Part Kits and Tool Kits
- Pulsation Dampeners
- Customisation Services

Hydra-Cell® Metering and Dosing Control Options

Electronic Flow Rate Adjustment for Local Control

- IP66 Standard
- Various flow rate adjustments options including:
 - On-board potentiometer(s)
 - On-board keypad controller with flow rate display
 - Removable, hand-held key-pad controller for authorised personnel only

Control Freak™ for Sophisticated Local Control

- Option available to control up to 6 x Hydra-Cell pumps with one Hydra-Cell Control Freak
- Multiple Variable Frequency Drive (VFD) options
- Enables programming for flow rate or totalisation
- Allows up to 10 x separate batch sequences
- Built-in Calibration mode



Manual Flow Rate Adjustment for Local Control

- Linear fine adjustment scale on hand-wheel
- High reliability due to frictionless design
- Option to fit a mechanical lock to prevent unauthorised flow rate change



On-board keypad control

Hand-held keypad control





HYDRA-CELL[®]

WANNER[™] SEAL-LESS PUMP TECHNOLOGIES

PARTNERS IN OVER 70 COUNTRIES

WANNER INTERNATIONAL LTD.[™]

UNITED KINGDOM
8 & 9 Fleet Business Park
Sandy Lane • Church Crookham
Hampshire UK GU52 8BF
t +44(0) 1252 816847
e: support@wannerint.com

WANNER ENGINEERING, INC.[™]

**WORLD HEADQUARTERS &
MANUFACTURING**
Minneapolis USA
t +1 612-332-5681
e: sales@wannereng.com

REGIONAL OFFICE

Texas USA
t +1 940-322-7111
e: sales@wannereng.com

LATIN AMERICAN OFFICE

São Paulo, BRAZIL
t +55 (11) 99582-1969
e: sales@wannereng.com

WANNER PUMPS LTD.[™]

Kowloon HONG KONG
t +852 3428 6634
e: sales@wannerpumps.com

Shanghai CHINA
t +86-21-6876 3700
e: sales@wannerpumps.com

www.hydra-cell.co.uk

Copyright© 2022. WANNER International Limited. All rights reserved. WANNER[™] and Hydra-Cell[®] are registered trademarks. All material contained are protected by copyright under UK & US copyright law, international conventions and other copyright laws.